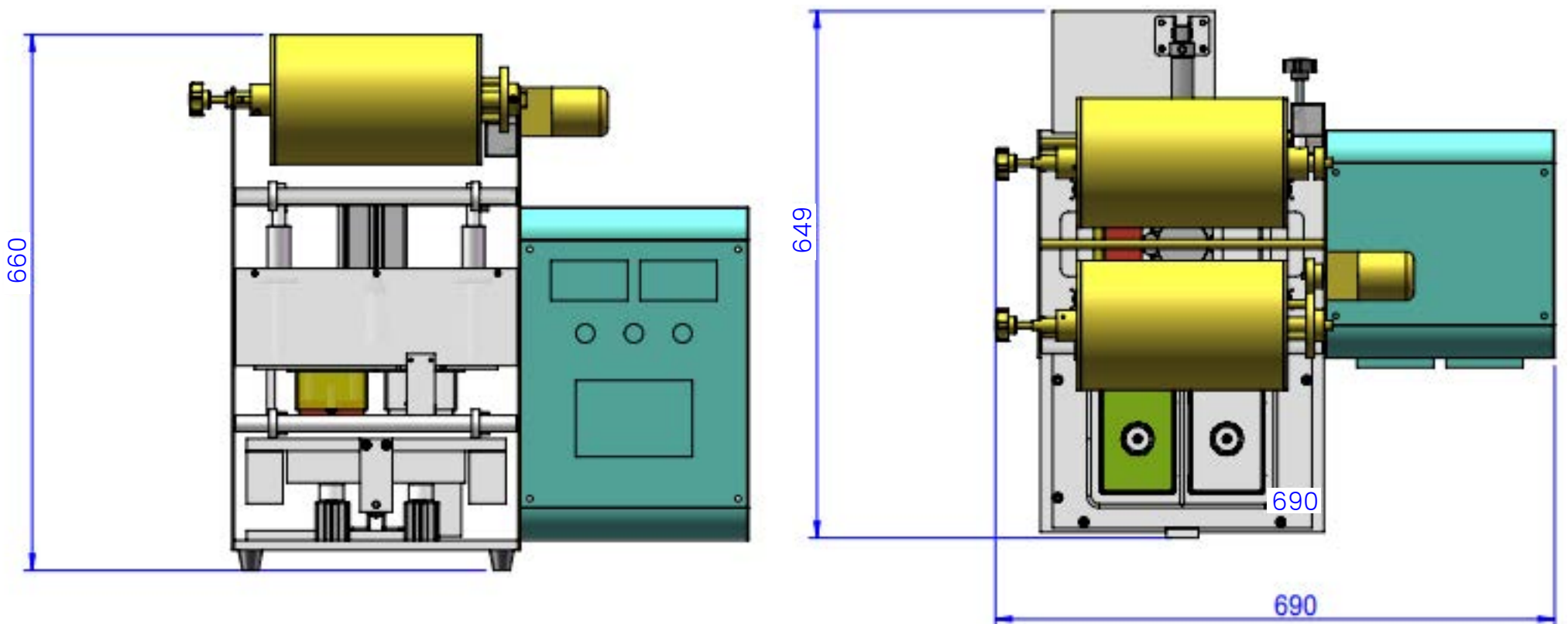
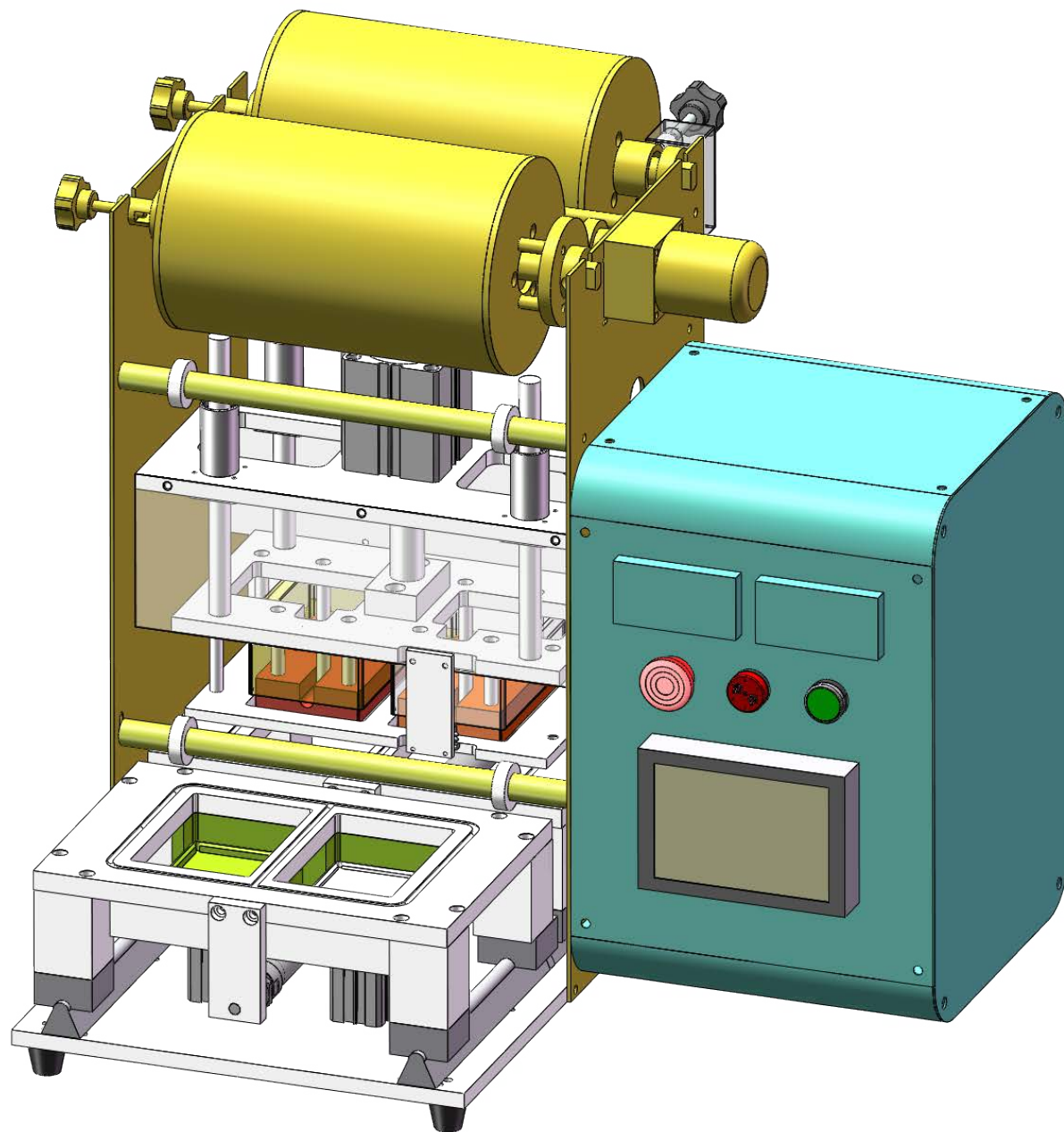


PLATE SEALER

For 96 well plate, 48 well plate, 24 well plate, 12 well plate,
6 well plate, PCR Plate, PCR Tube





Workflow:

1. Feed plates
2. Sealing plates

Sealing Temperature: 150 - 200°C

Sealing Time: 5 second / sealing

Parameter	
Capacity	1000 plates/hour
Power	3,000W
Power supply	220V/50Hz
Weight	40kg
Dimension	690mm * 650mm * 660mm

Video: <https://youtu.be/sZy8Unj3WDQ>