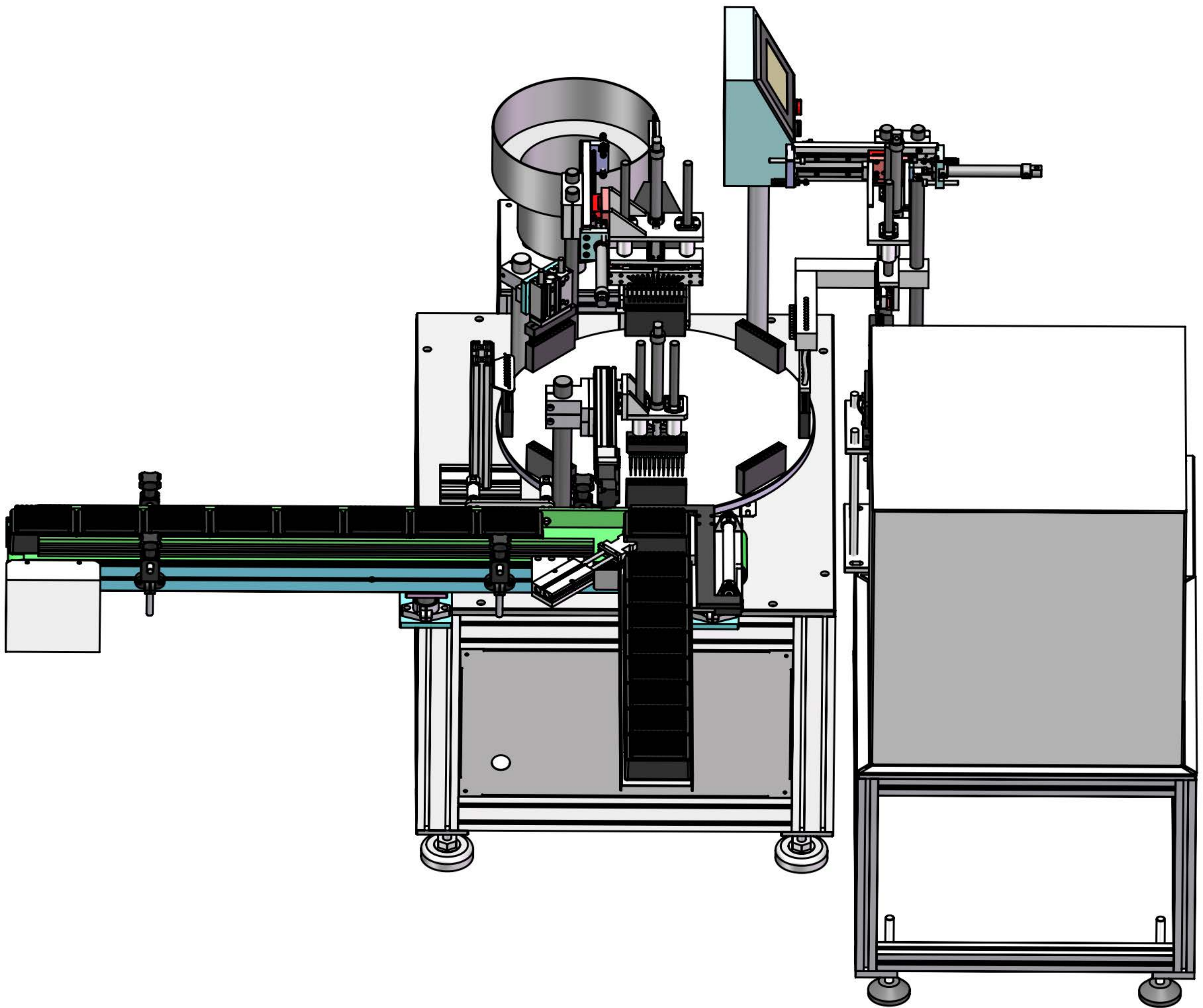
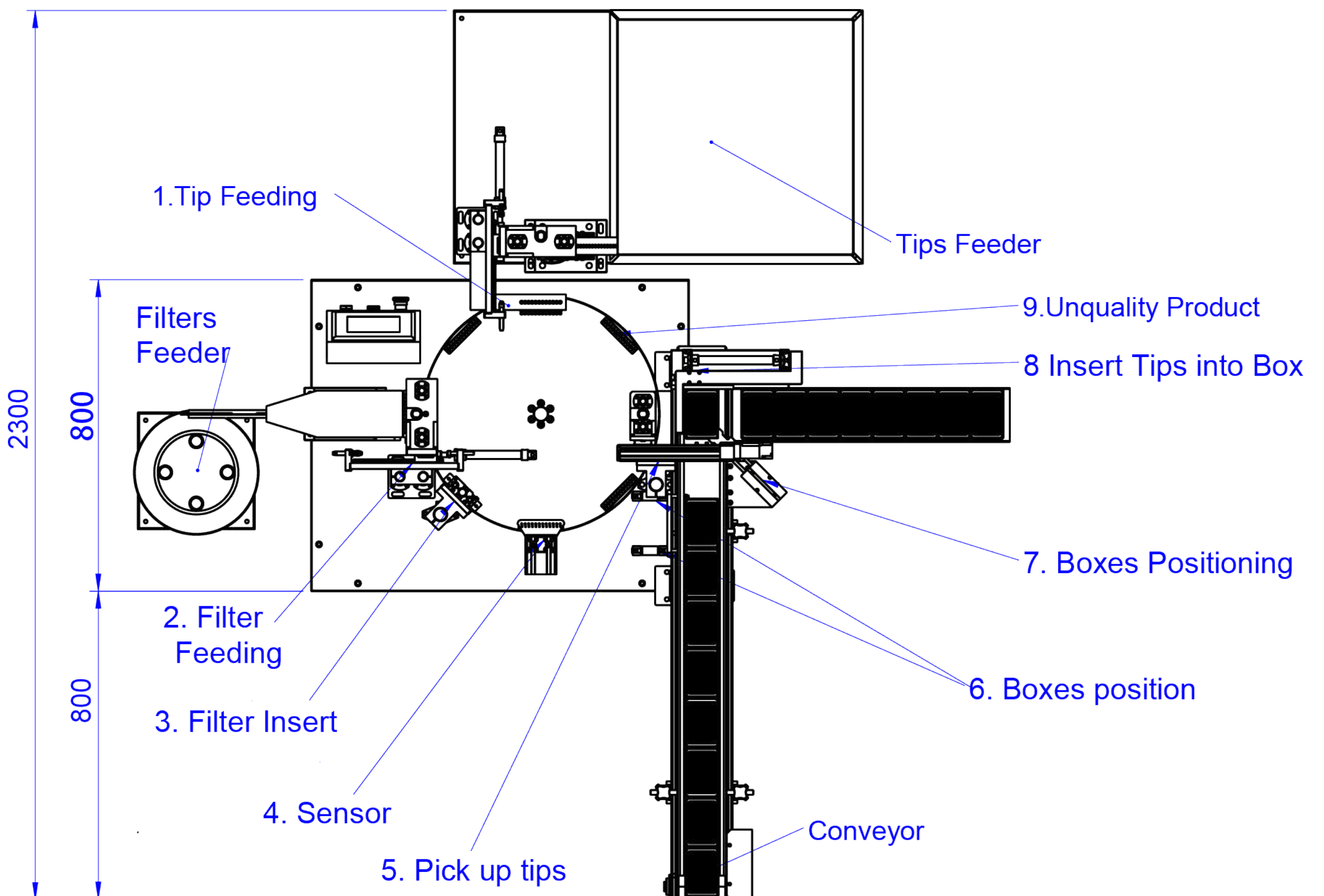
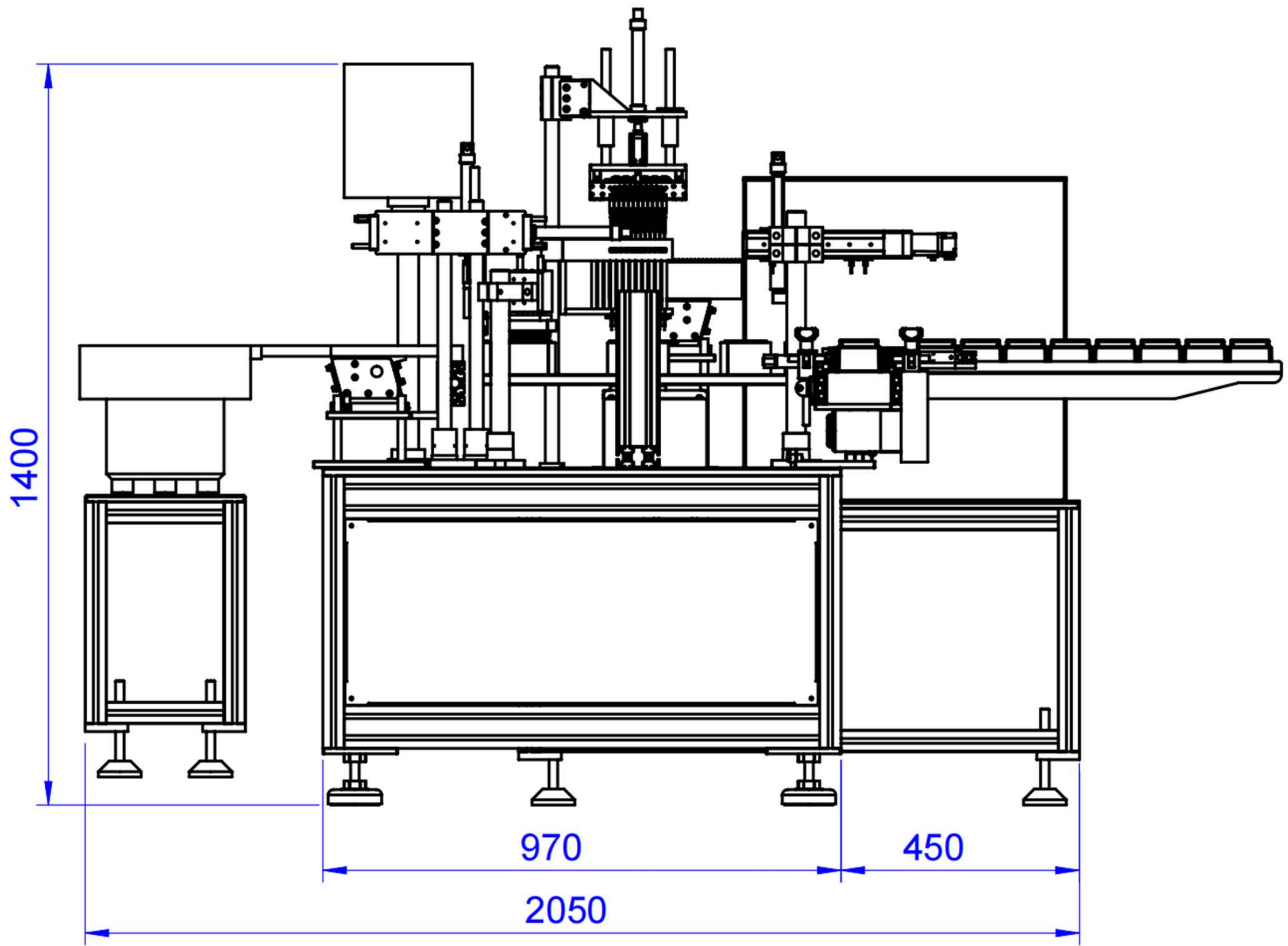


# TIPS ASSEMBLY MACHINE



OVERVIEW



**Suitable for:**

Tip Size: 10ul to 1,250ul

Filter size: Diameter (1.5mm - 6.9mm) ; Height (1.5mm - 5.0mm)



**Parameter**

Capacity	120-180 Boxes/Hour
Power	2,500W
Electric power	220V/50Hz
Air Pressure	0.6Mpa
Weight	500KG
Dimension	2,300mm * 2,050mm * 1,400mm



Video: <https://youtu.be/EpmytDIEGG0>