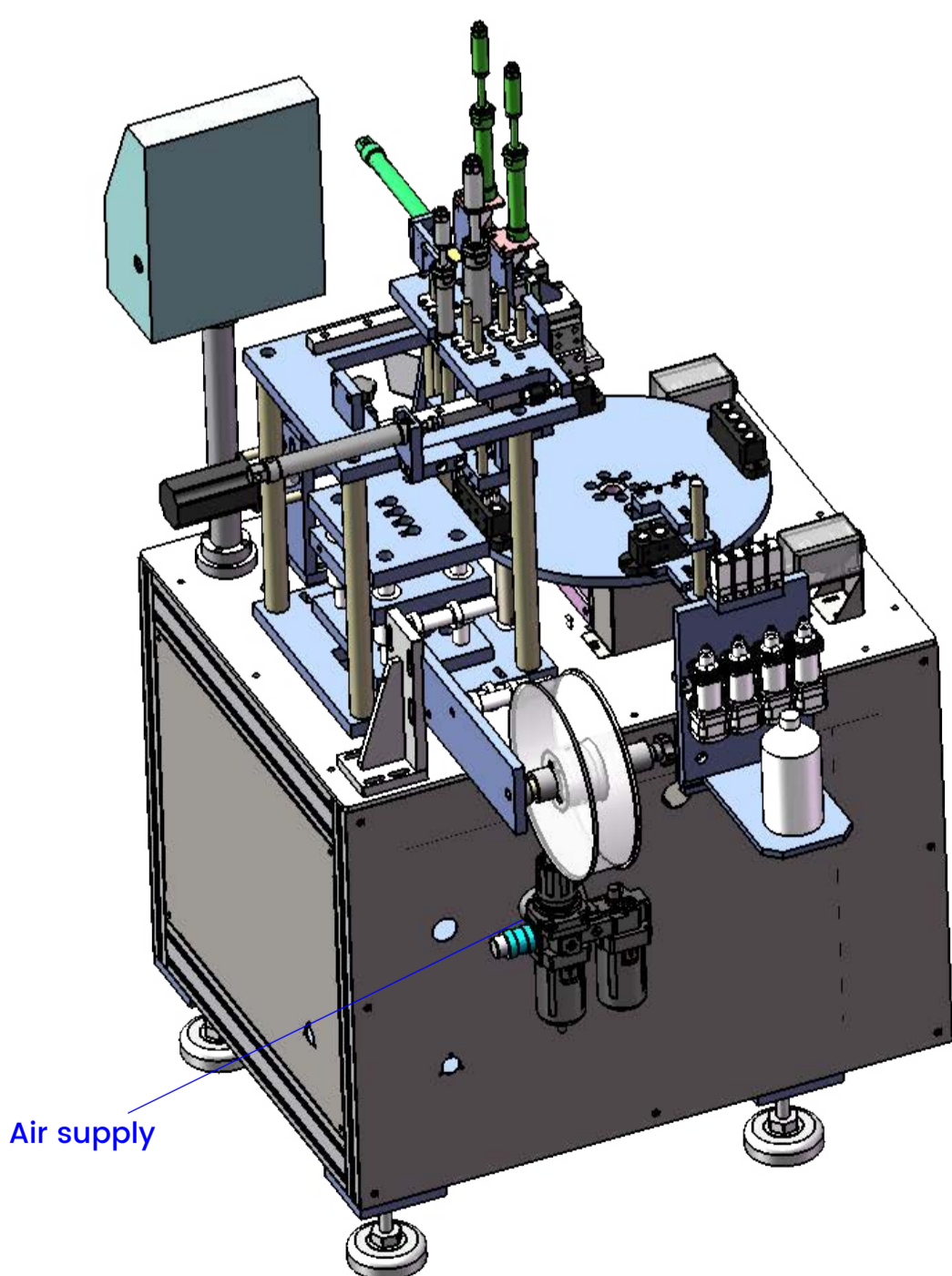
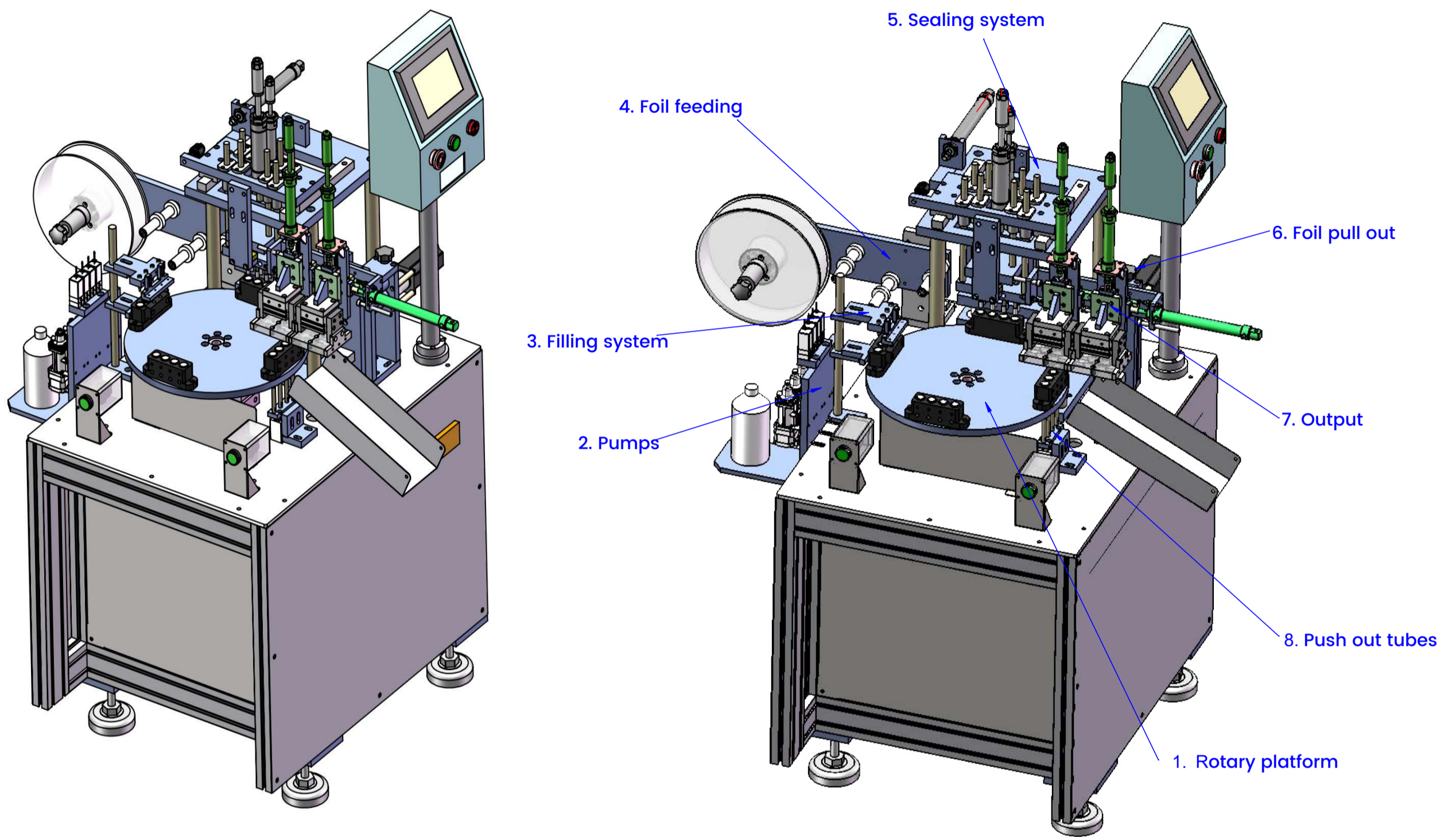


Liquid Filling And Sealing Machine

Cat. No.: LFM-600

Semi Automatically



Workflow:

1. Feed tubes (one by one manual)
2. Fill liquid
3. Auto feed foil
4. Cut foil and seal
5. Output

Suitable For:



Parameter

Capacity	3,000 - 3,600pcs/H
Power	1,500W
Power supply	220V
Air supply	0.6MPa
Weight	150kg
Dimension	900*1,100*1,500mm

Key components

No.	Components	Brand	
1	PLC	XINJE	CHINA
2	Fiber sensor Photoelectric sensor	Panasonic	Japan
3	24V power	Schneider	Germany
4	Touch screen	XINJE	CHINA
5	Leakage relay	CHNT	CHINA
6	Solenoid valve	Airtac	TAIWAN
7	Cylinder	Airtac	TAIWAN
8	Pressure regulating valve	Airtac	TAIWAN
9	Slider	Hiwin	TAIWAN

Video:

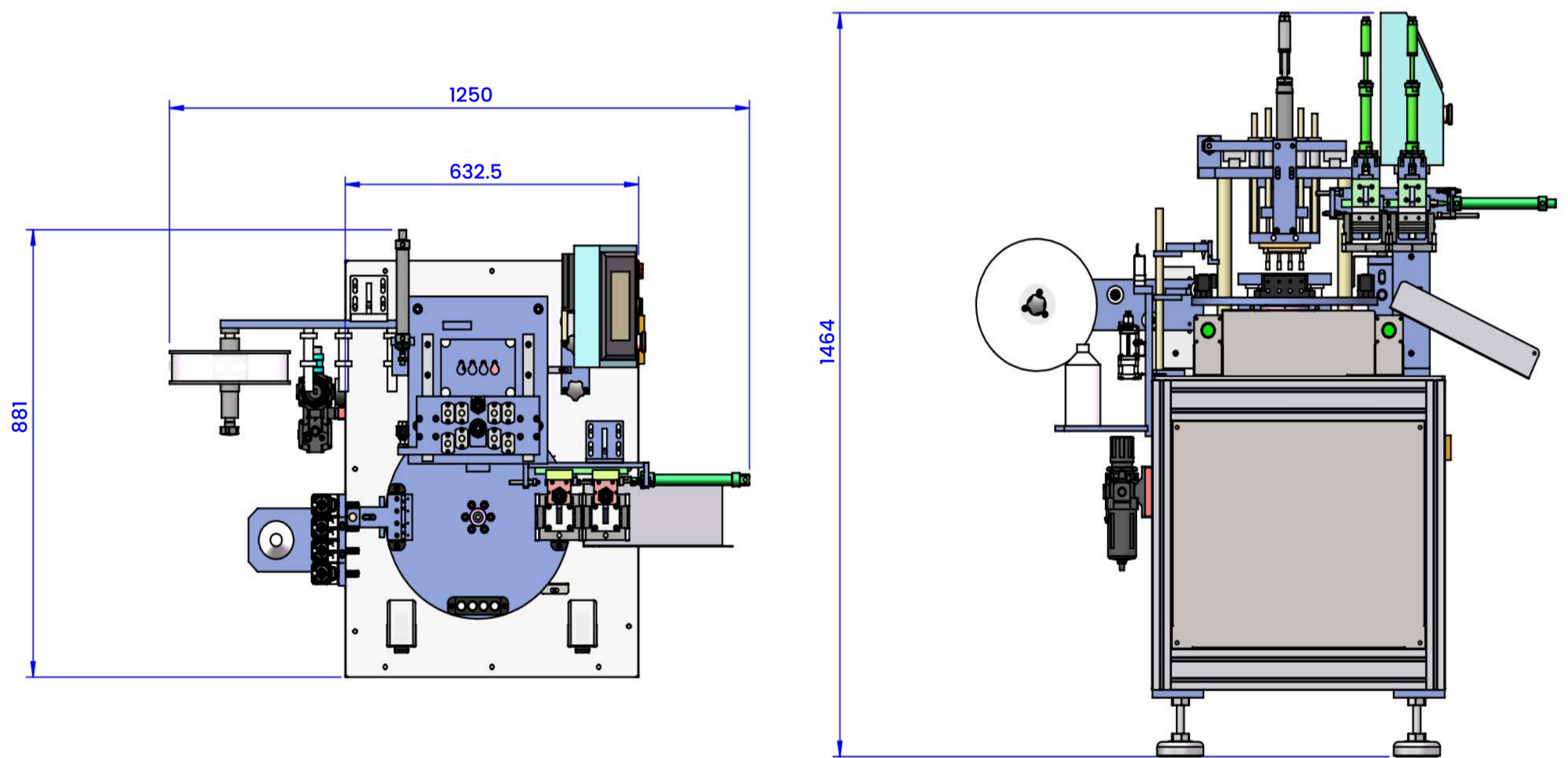
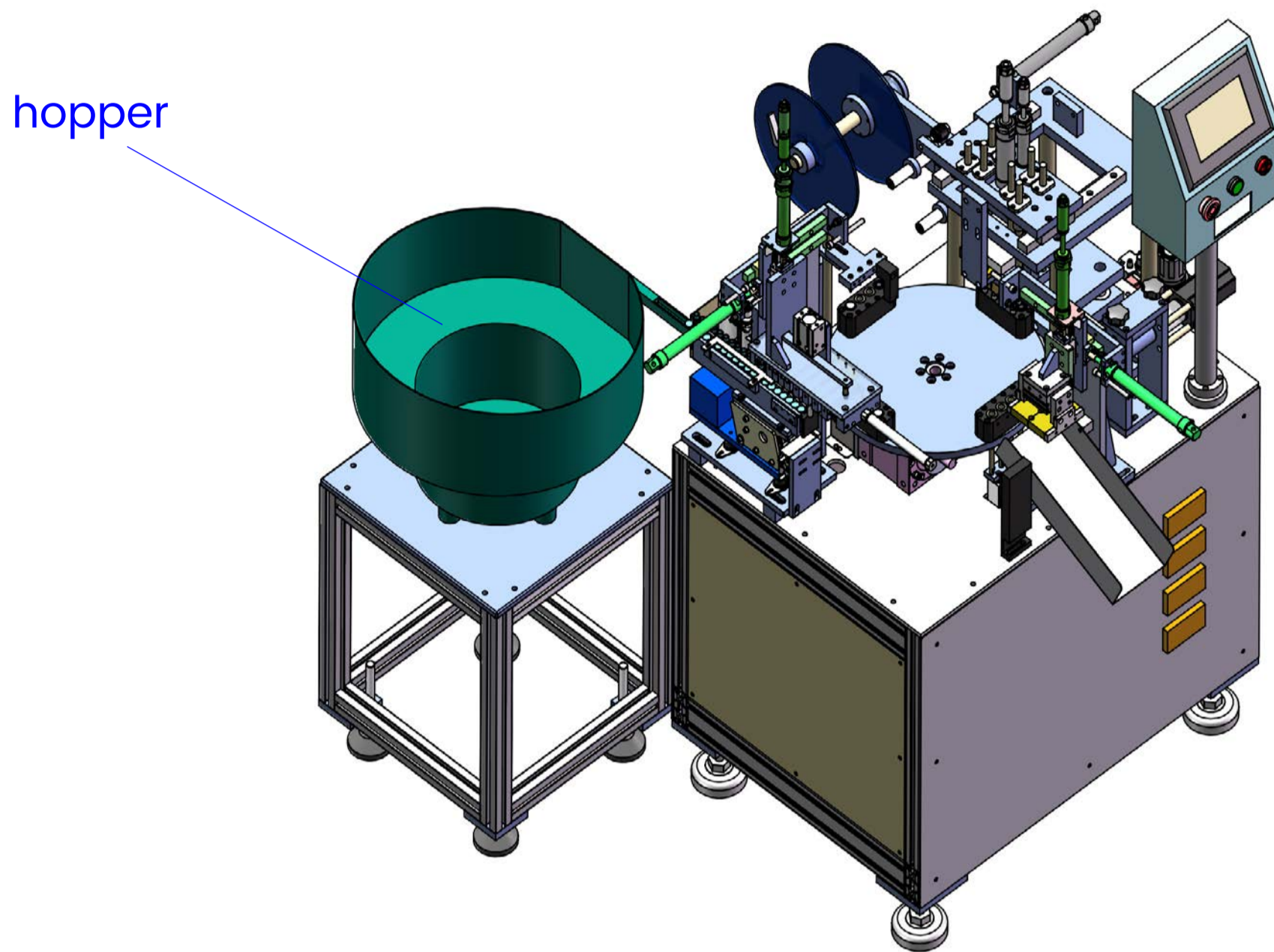
<https://youtu.be/3whFnIjJfI8>

<https://youtu.be/eTt7cMiSI9U>

Liquid Filling And Sealing Machine

Cat. No.: LFM-601

Fully Automatically



Workflow:

1. Feed tubes
(automatically by hopper)
2. Fill liquid
3. Feed foil
4. Cut and seal
5. Output

Suitable For:



Parameter	
Capacity	3,000 - 3,600pcs/H
Power	1,500W
Power supply	220V
Air supply	0.6MPa
Weight	150kg
Dimension	900*1,100*1,500mm

Key components			
No.	Components	Brand	
1	PLC	XINJE	CHINA
2	Fiber sensor Photoelectric sensor	Panasonic	Japan
3	24V power supply	Schneider	Germany
4	Touch screen	XINJE	CHINA
5	Leakage relay	CHNT	CHINA
6	Solenoid valve	Airtac	TAIWAN
7	Cylinder	Airtac	TAIWAN
8	Pressure regulating valve	Airtac	TAIWAN
9	Slider	Hiwin	TAIWAN