

Automatic Screwing Machine For Extraction Tube

For manufacturing lysis buffer of Covid-19 antigen test kit

Cat. No.: LFM-701



Features:

1. Easy to use
2. High capacity
3. Suitable for daily million tests manufacturing
4. Suitable for laboratory, R&D center, factory, school, hospital, etc.

Workflow:

1. Feed extraction tubes into plate
2. Put plate into rack
3. Start screwing caps

Parameter	
Dimension	300*300*600mm
Power	200W
Power supply	200V, 50Hz
Capping heads	3
Speed	35 second / plate (90 tubes)
Capacity	8,000 ~ 9,300 tubes
Weight	20 kg

Video:

<https://youtu.be/47LC6PRKq6s>

Liquid Handling System

For Covid-19 Antigen Lysis Buffer Filling
10,000 - 12,000 tubes per hour

Cat. No.: LFM-700



Features:

1. Easy to use
2. Flexible filling by selected tubes, whole plate, row tubes, etc.
3. Suitable for large scale production > million tests daily manufacturing
4. High capacity, 10,000 ~ 12,000 tubes per hour

Workflow:


1. Insert tubes into plate
2. Setting filling volume
3. Select filling tubes by whole plate or row tubes or random tubes
4. Start filling

Parameter	
Dimension	450*420*300
Power	200W
Power supply	220V, 50Hz
Filling heads	6
Speed	25 second / plate (90 tubes)
Capacity	10,000 ~ 12,000 tubes
Weight	8 kg
Liquids	1 ~ 6 types
Containers	ELISA plate, PCR plate, extraction tube, 8 strip tubes, spinner column, 96 well plate, 48 well plate, etc.
Precision	±5%
Filling volume	> 30ul
Pumps	6 Peristaltic pump

Video:

<https://youtu.be/2jhsVbi7DXk>

How many machines for million tests daily manufacturing?

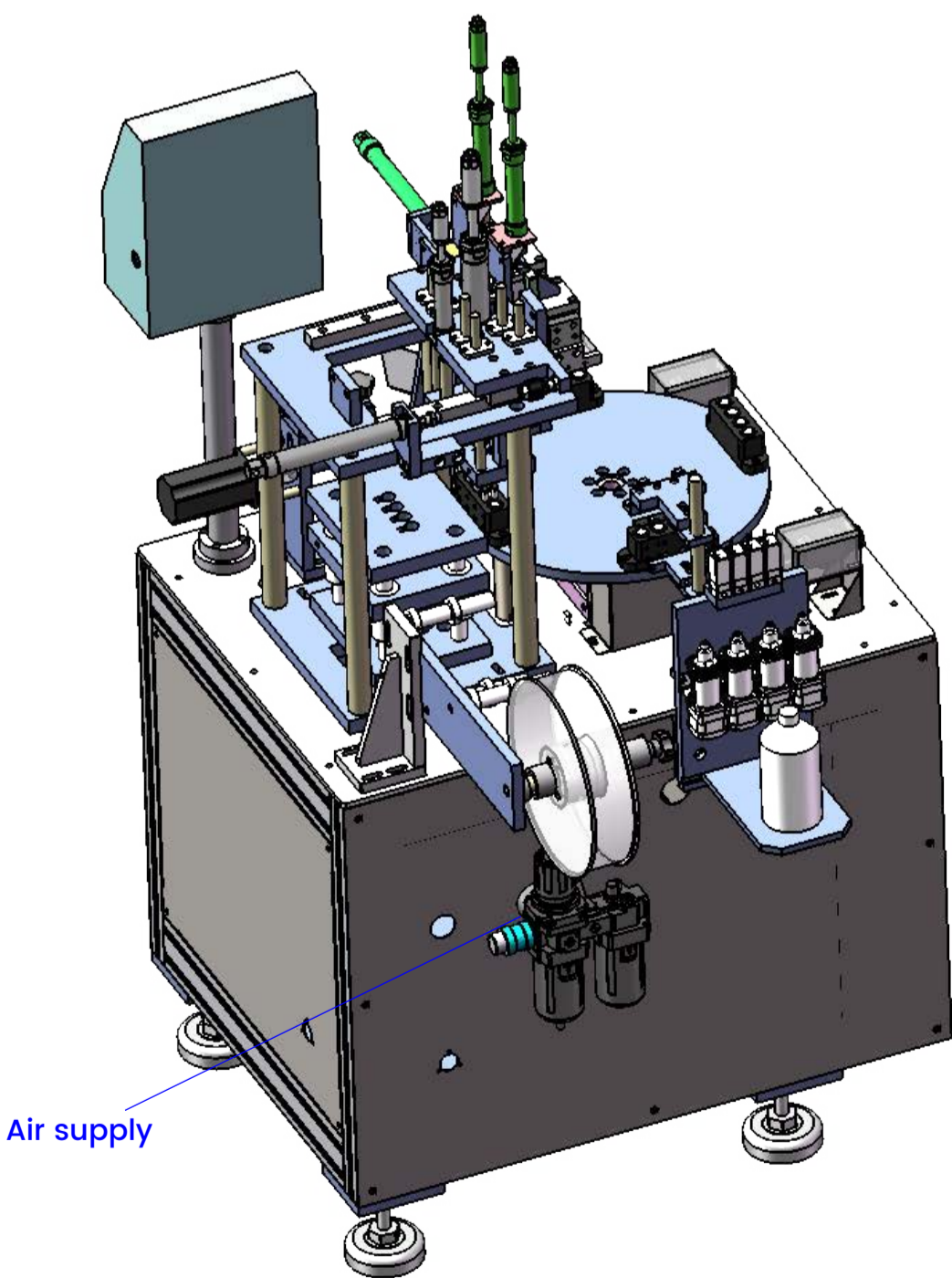
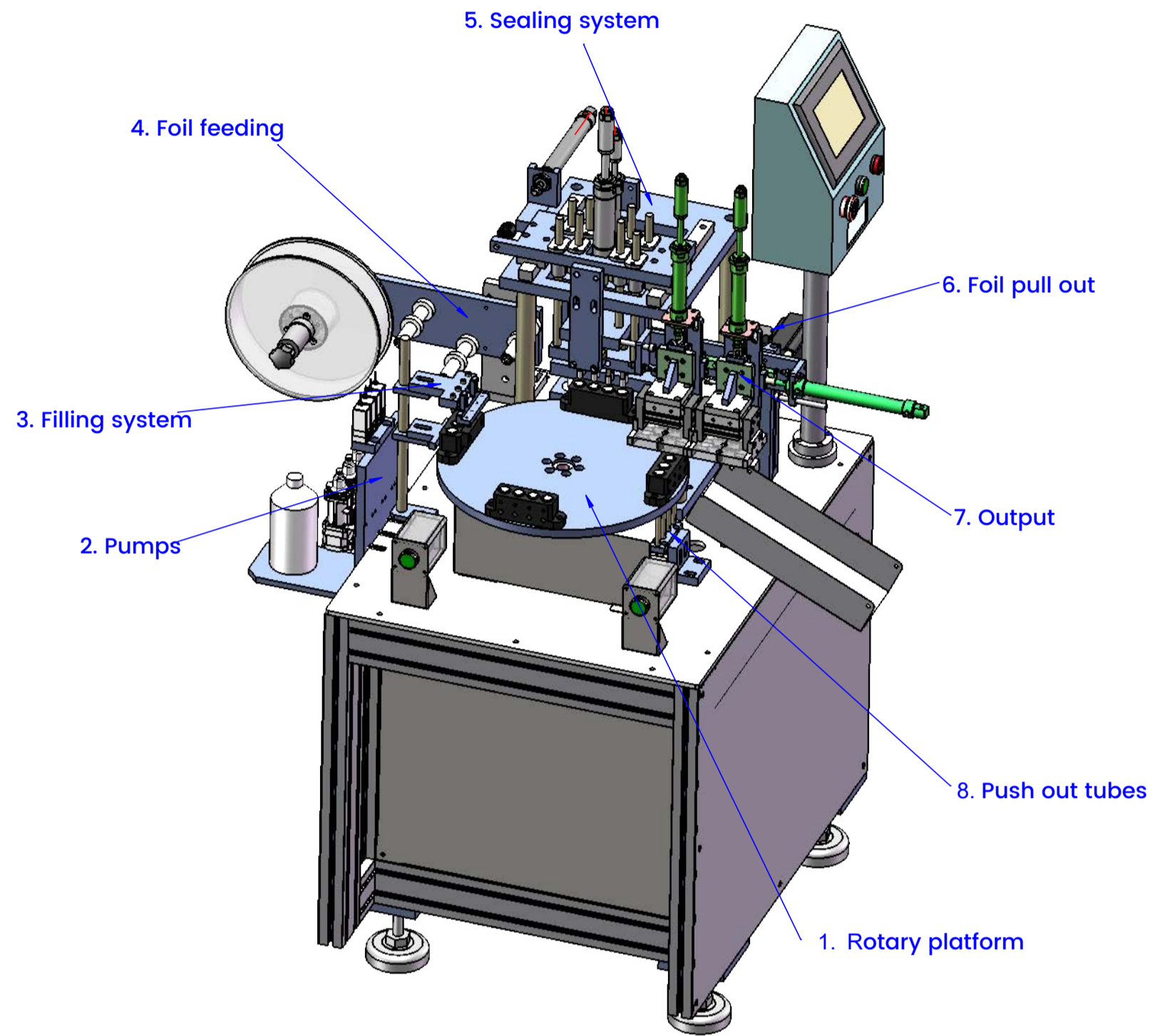
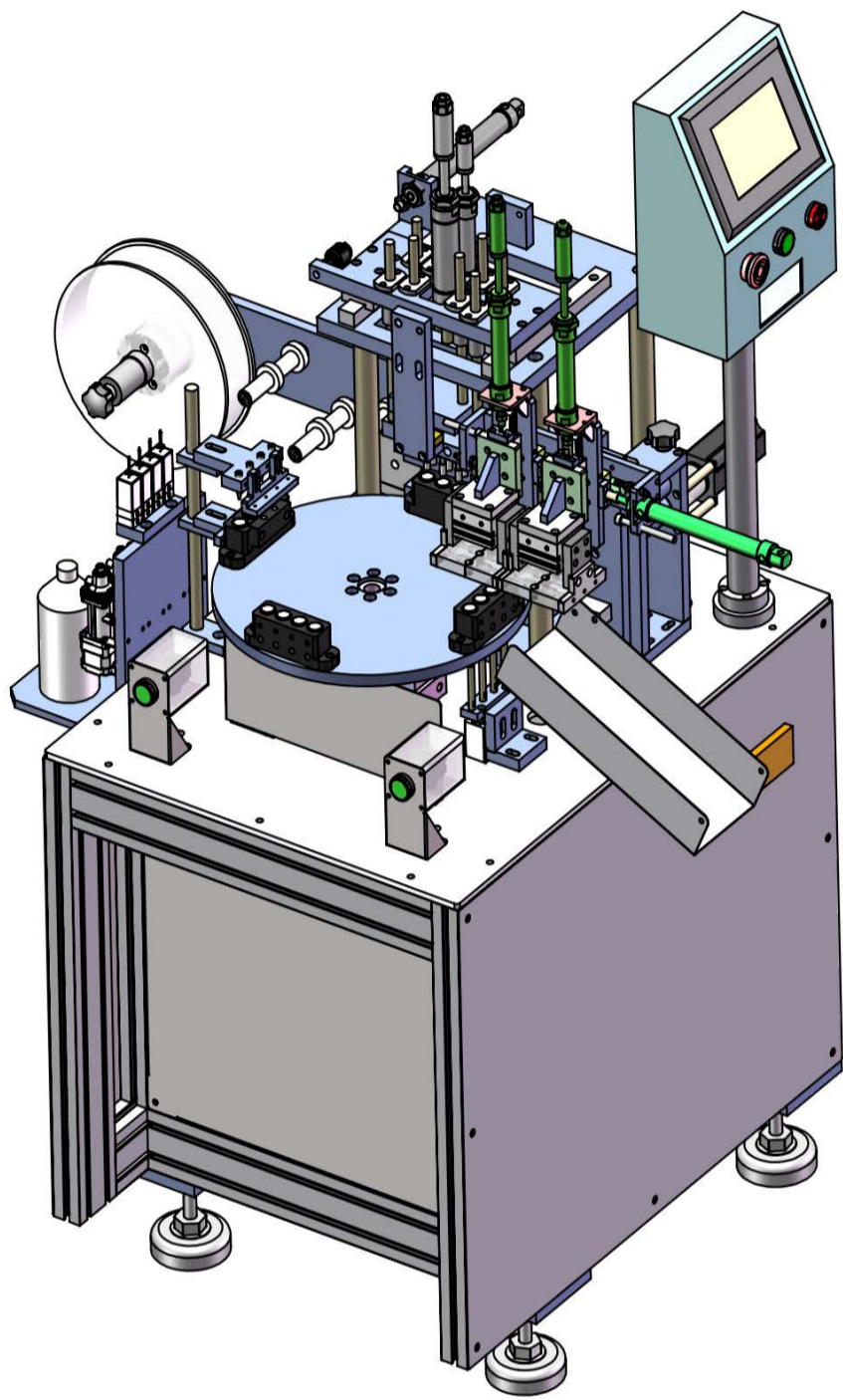
Product	Machines	Monthly		Daily	
		< 2 millions	5 millions	1 million	5 million
	Automatic Screwing Machine	1	4	6	32
	Liquid Filling System	1	4	6	32

Above quantity based on by 8 working hours per day by monthly production; 20 working hours by daily production. It can be changed according working hours per day.

Liquid Filling And Sealing Machine

Cat. No.: LFM-600 |

Semi Automatically



Workflow:

1. Feed tubes (one by one manual)
2. Fill liquid
3. Auto feed foil
4. Cut foil and seal
5. Output

Suitable For:



Parameter

Capacity	3,000 - 3,600pcs/H
Power	1,500W
Power supply	220V
Air supply	0.6MPa
Weight	150kg
Dimension	900*1,100*1,500mm

Key components

No.	Components	Brand	
1	PLC	XINJE	CHINA
2	Fiber sensor Photoelectric sensor	Panasonic	Japan
3	24V power	Schneider	Germany
4	Touch screen	XINJE	CHINA
5	Leakage relay	CHNT	CHINA
6	Solenoid valve	Airtac	TAIWAN
7	Cylinder	Airtac	TAIWAN
8	Pressure regulating valve	Airtac	TAIWAN
9	Slider	Hiwin	TAIWAN

Video:

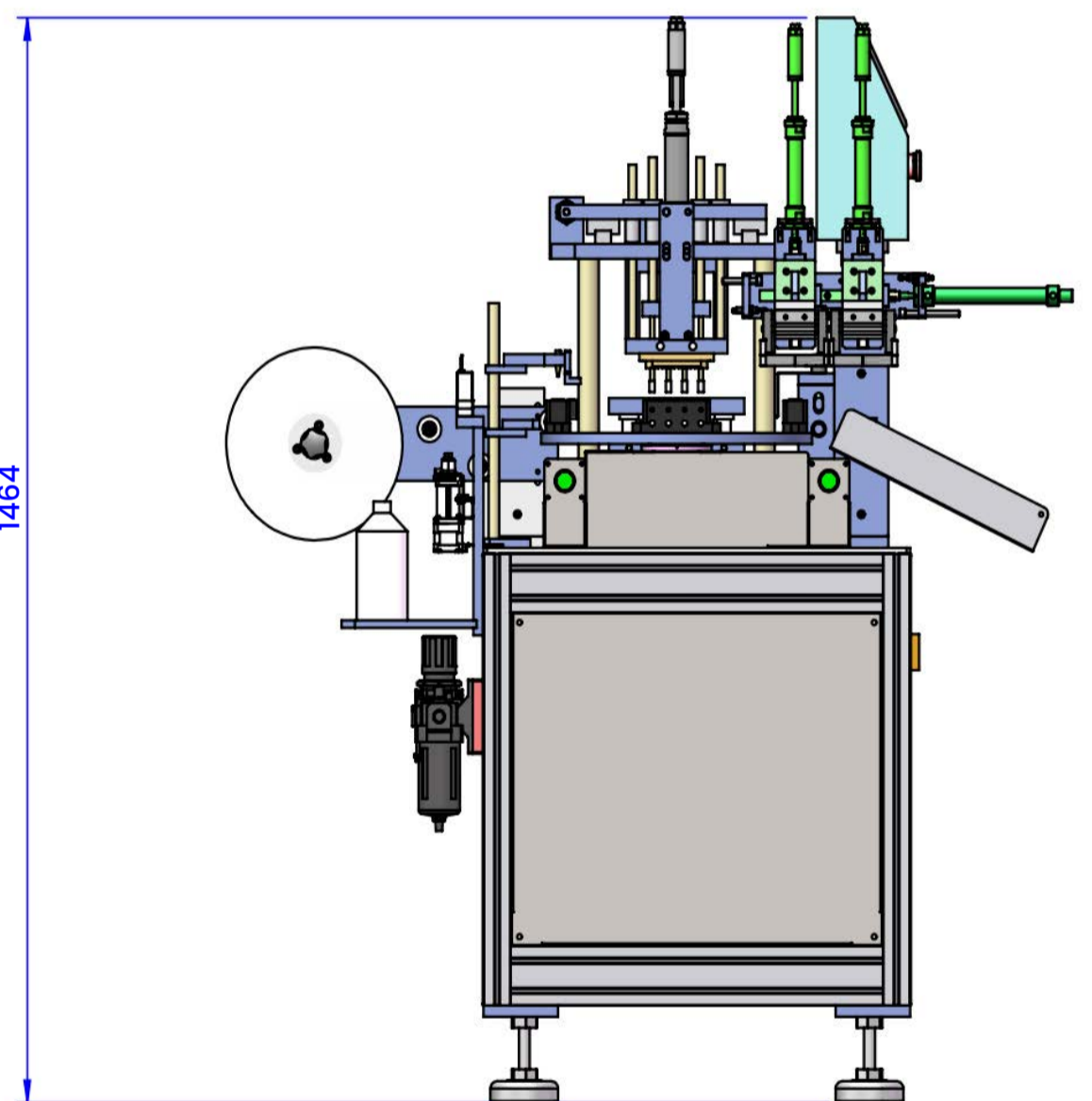
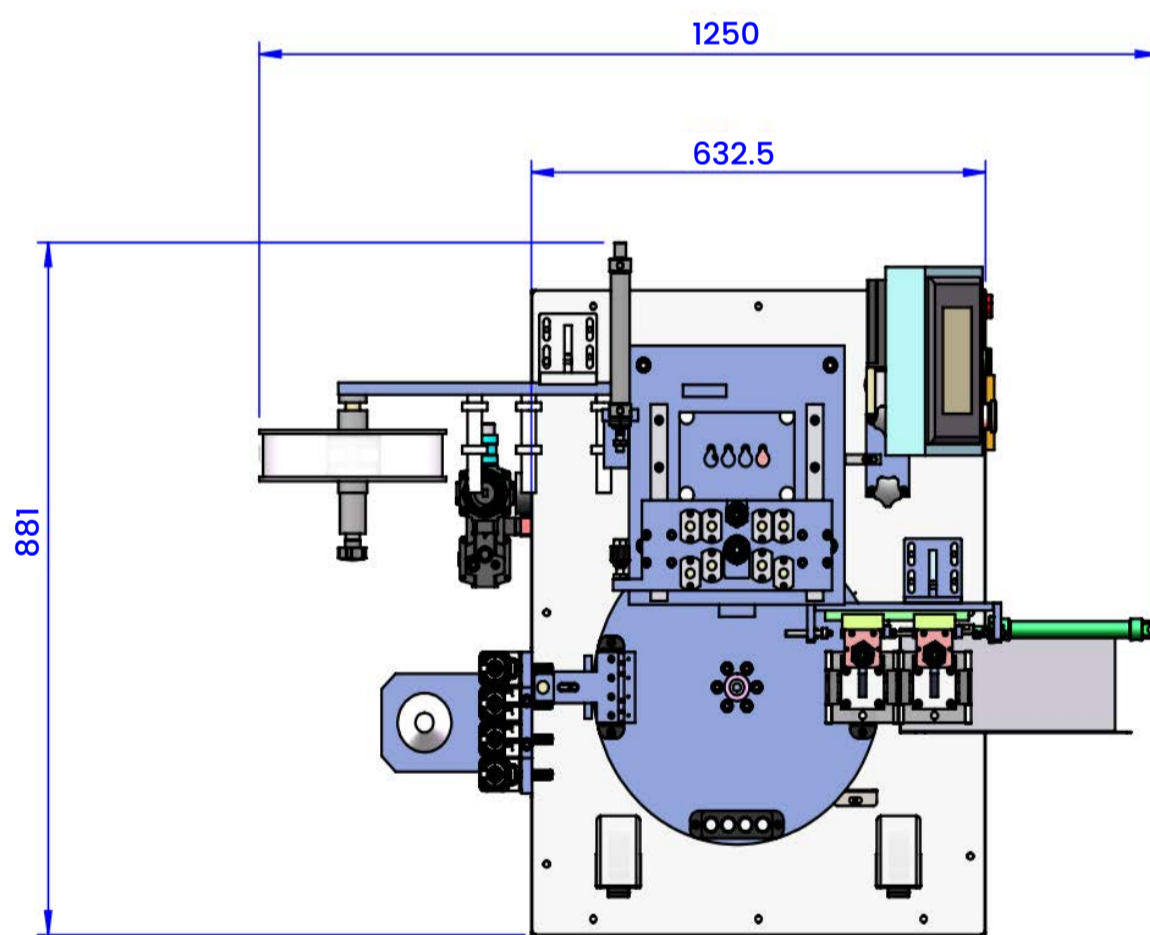
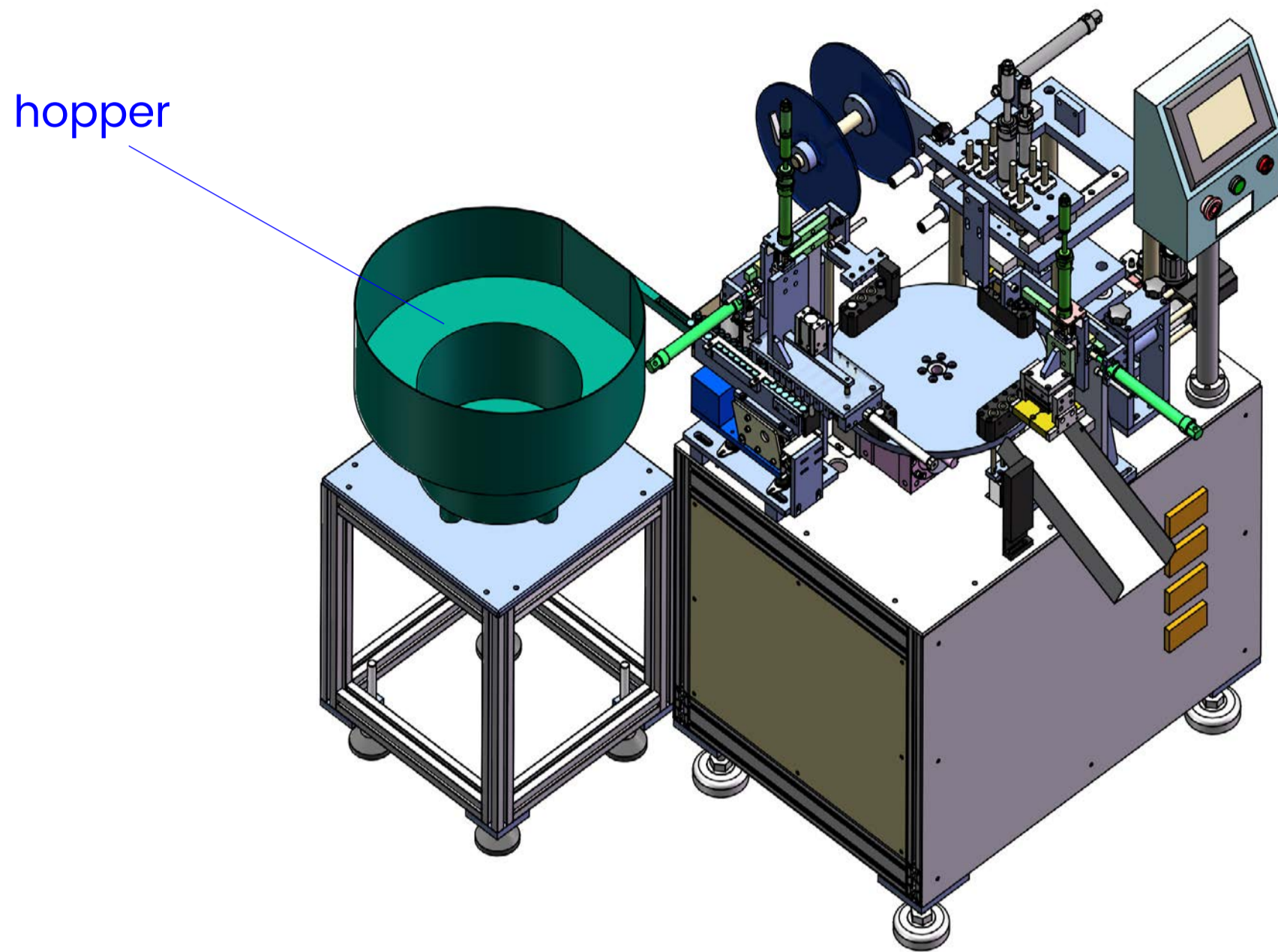
<https://youtu.be/3whFnIjJfI8>

<https://youtu.be/eTt7cMiSI9U>

Liquid Filling And Sealing Machine

Cat. No.: LFM-601

Fully Automatically



Workflow:

1. Feed tubes
(automatically by hopper)
2. Fill liquid
3. Feed foil
4. Cut and seal
5. Output

Suitable For:



Parameter

Capacity	3,000 - 3,600pcs/H
Power	1,500W
Power supply	220V
Air supply	0.6MPa
Weight	150kg
Dimension	900*1,100*1,500mm

Key components

No.	Components	Brand	
1	PLC	XINJE	CHINA
2	Fiber sensor Photoelectric sensor	Panasonic	Japan
3	24V power supply	Schneider	Germany
4	Touch screen	XINJE	CHINA
5	Leakage relay	CHNT	CHINA
6	Solenoid valve	Airtac	TAIWAN
7	Cylinder	Airtac	TAIWAN
8	Pressure regulating valve	Airtac	TAIWAN
9	Slider	Hiwin	TAIWAN

Video:

https://youtu.be/LZi3FeA_iuc